



Applicant: VANLANDINGHAM, Wayne M.
Attorney Docket No. P04853US00
U.S. Serial No. 10/036,571
Title: RACK FOR REDUCED HEIGHT
WASHING COMPARTMENT
REPLACEMENT SHEETS - Sheet 1 of 9

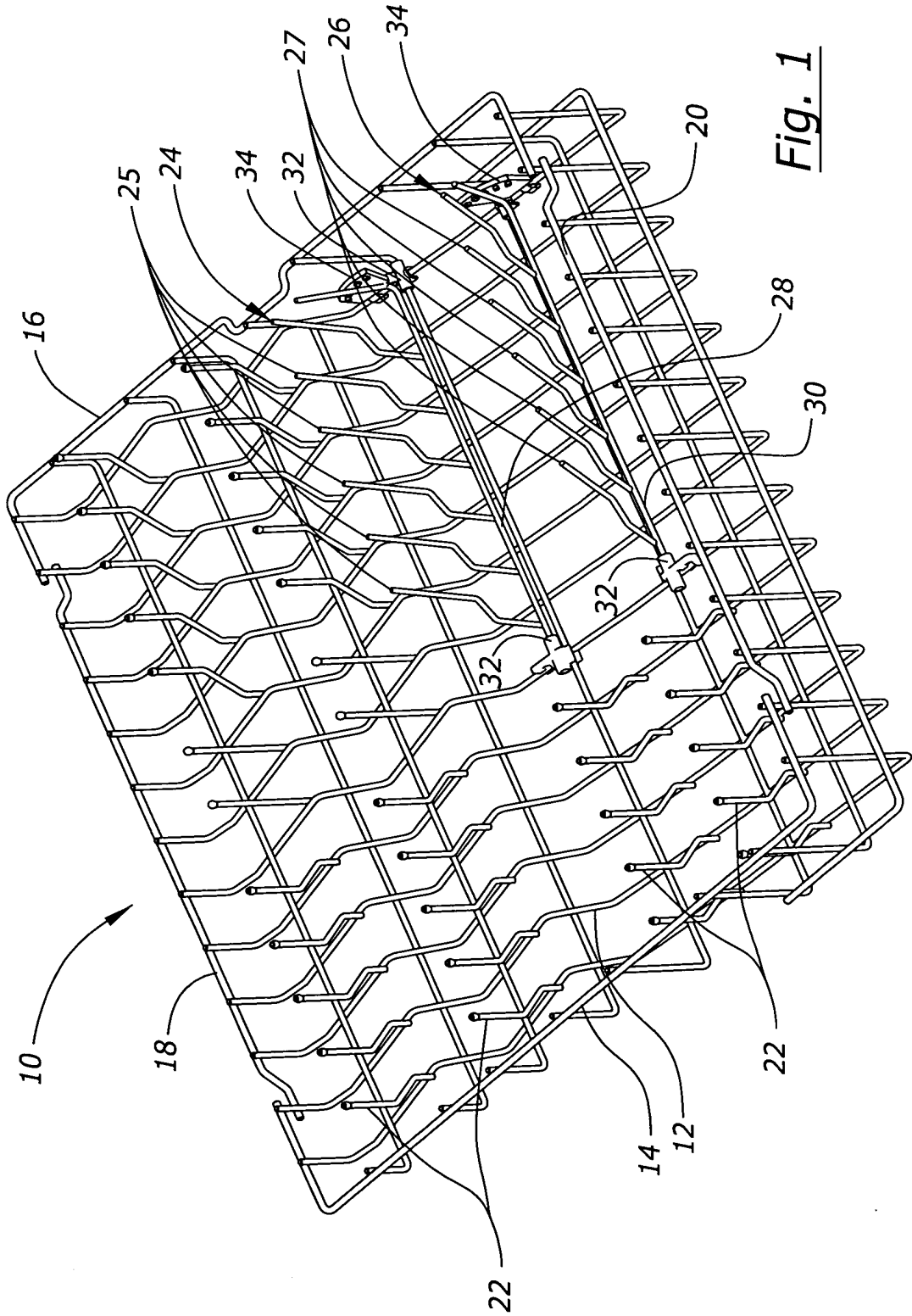


Fig. 1

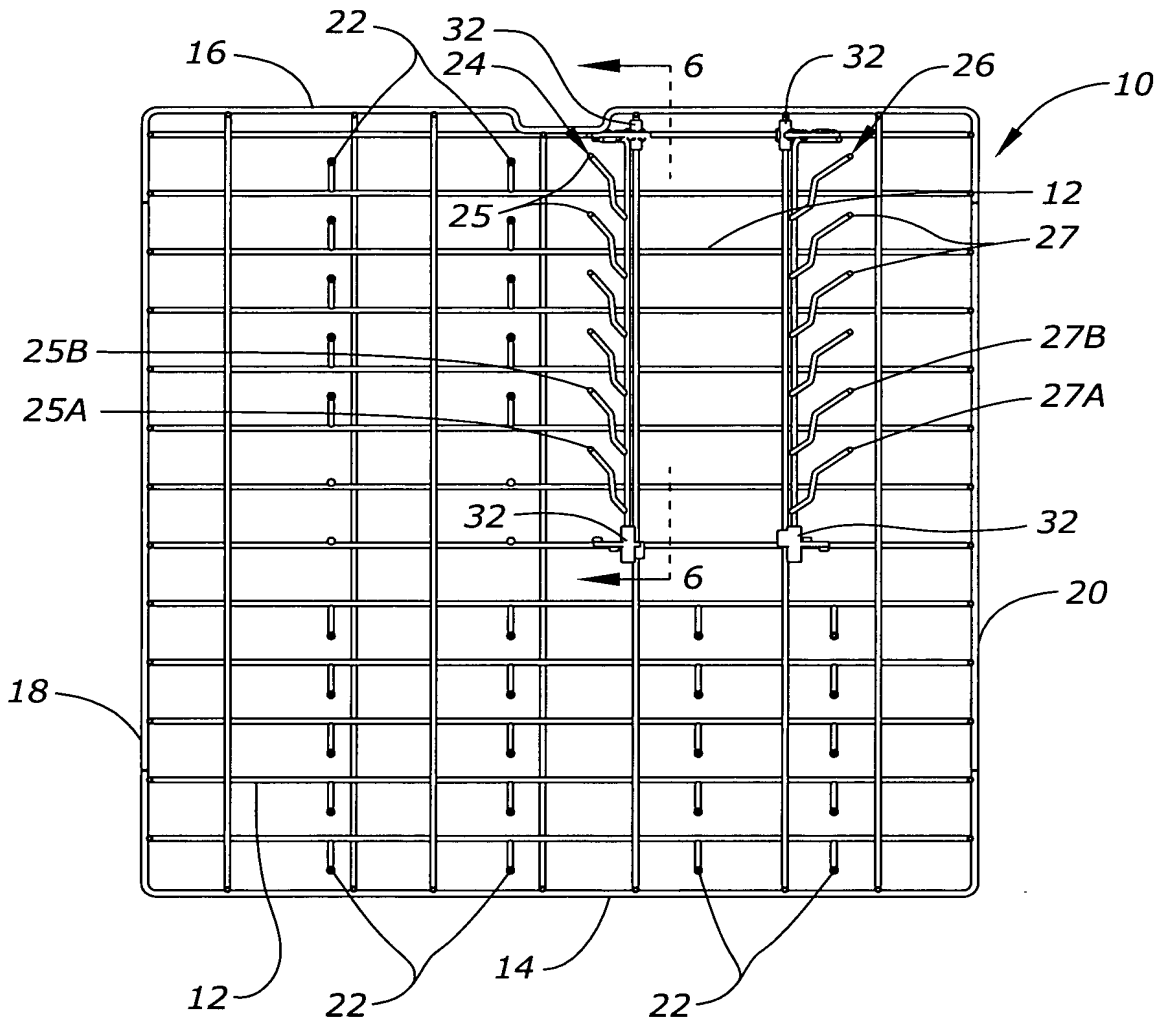


Fig. 2

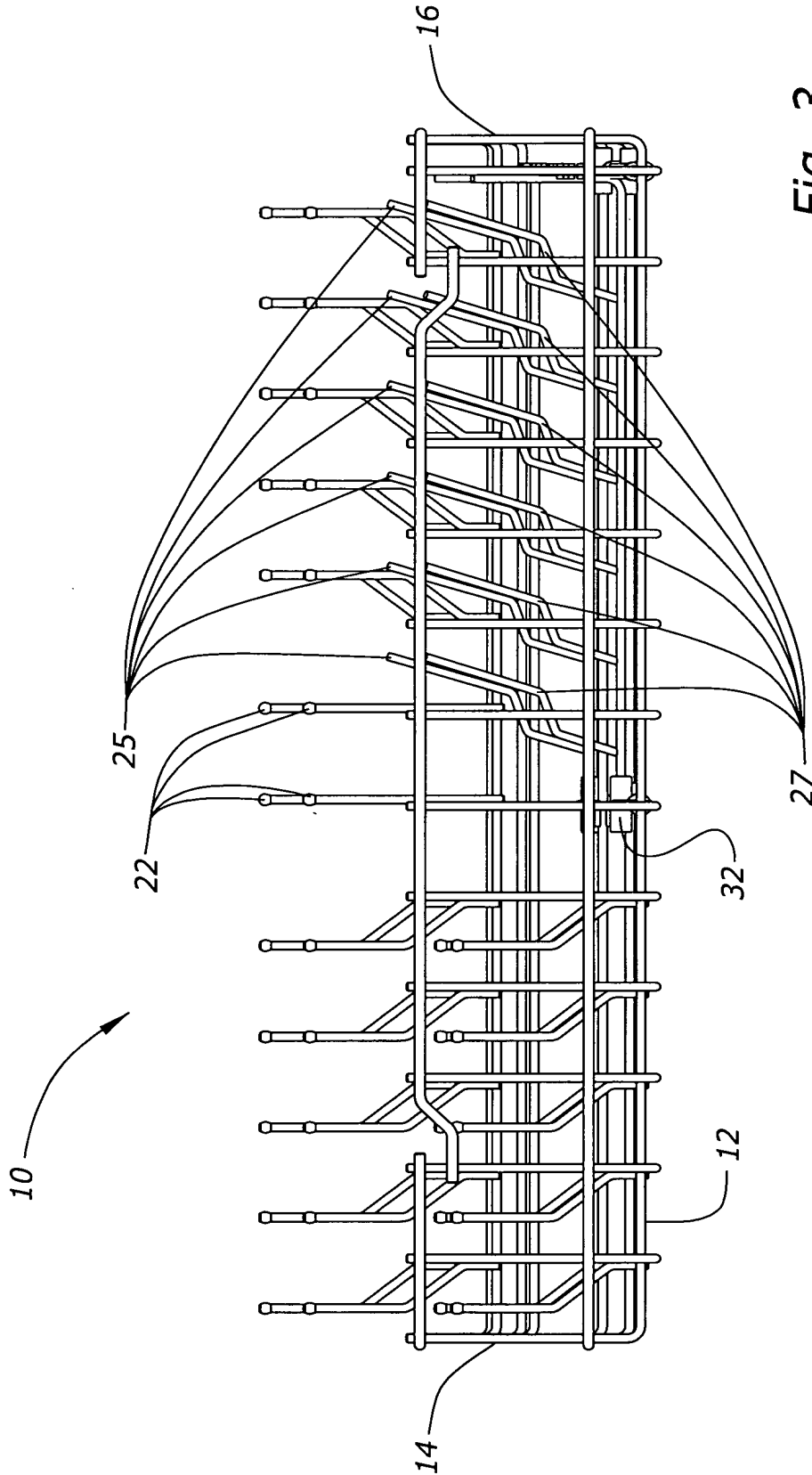


Fig. 3

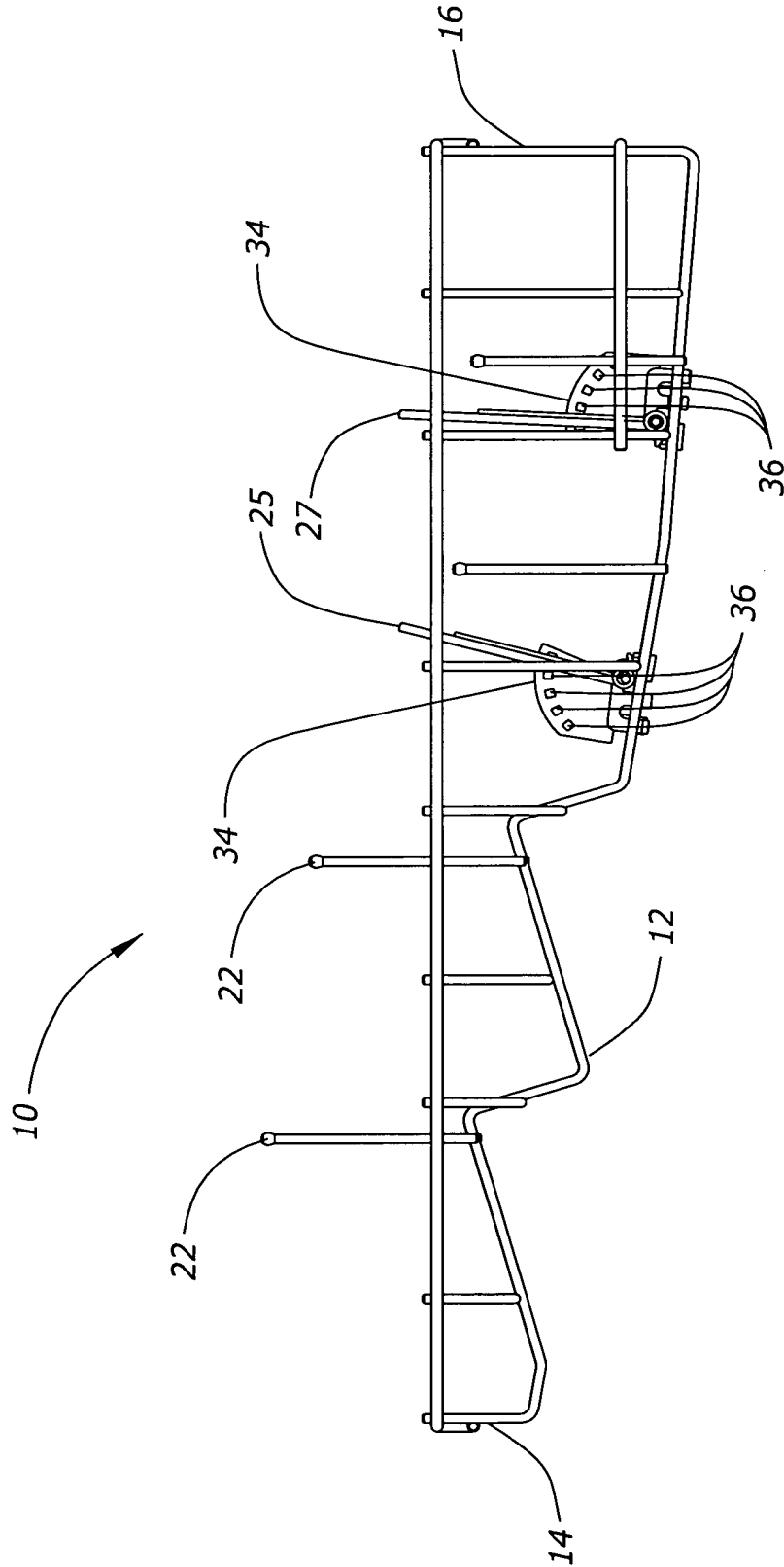


Fig. 4



Applicant: VANLANDINGHAM, Wayn M.
Attorney Docket No. P04853US00
U.S. Serial No. 10/036,571
Title: RACK FOR REDUCED HEIGHT
WASHING COMPARTMENT
REPLACEMENT SHEETS - Sheet 5 of 9

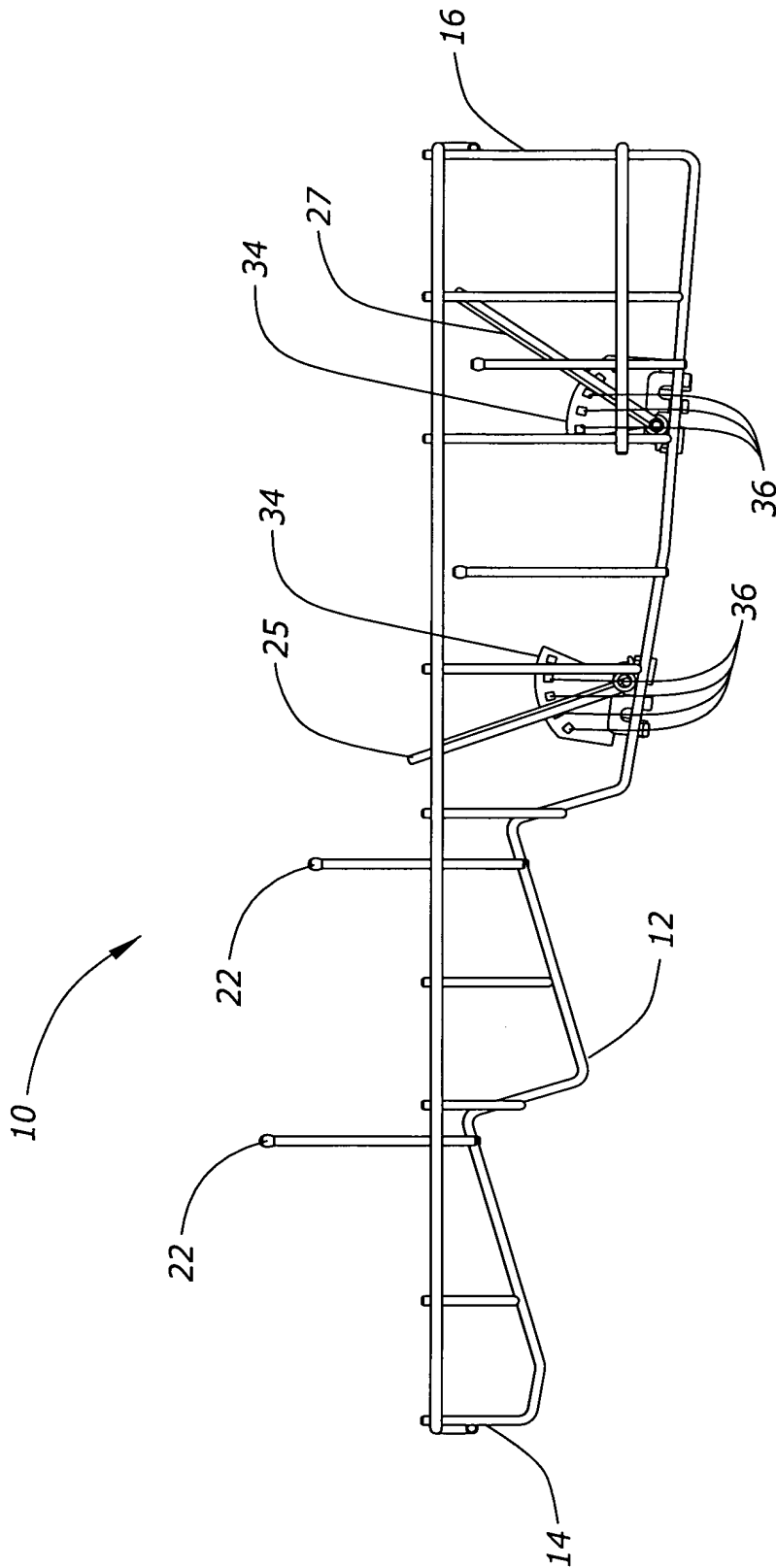


Fig. 5

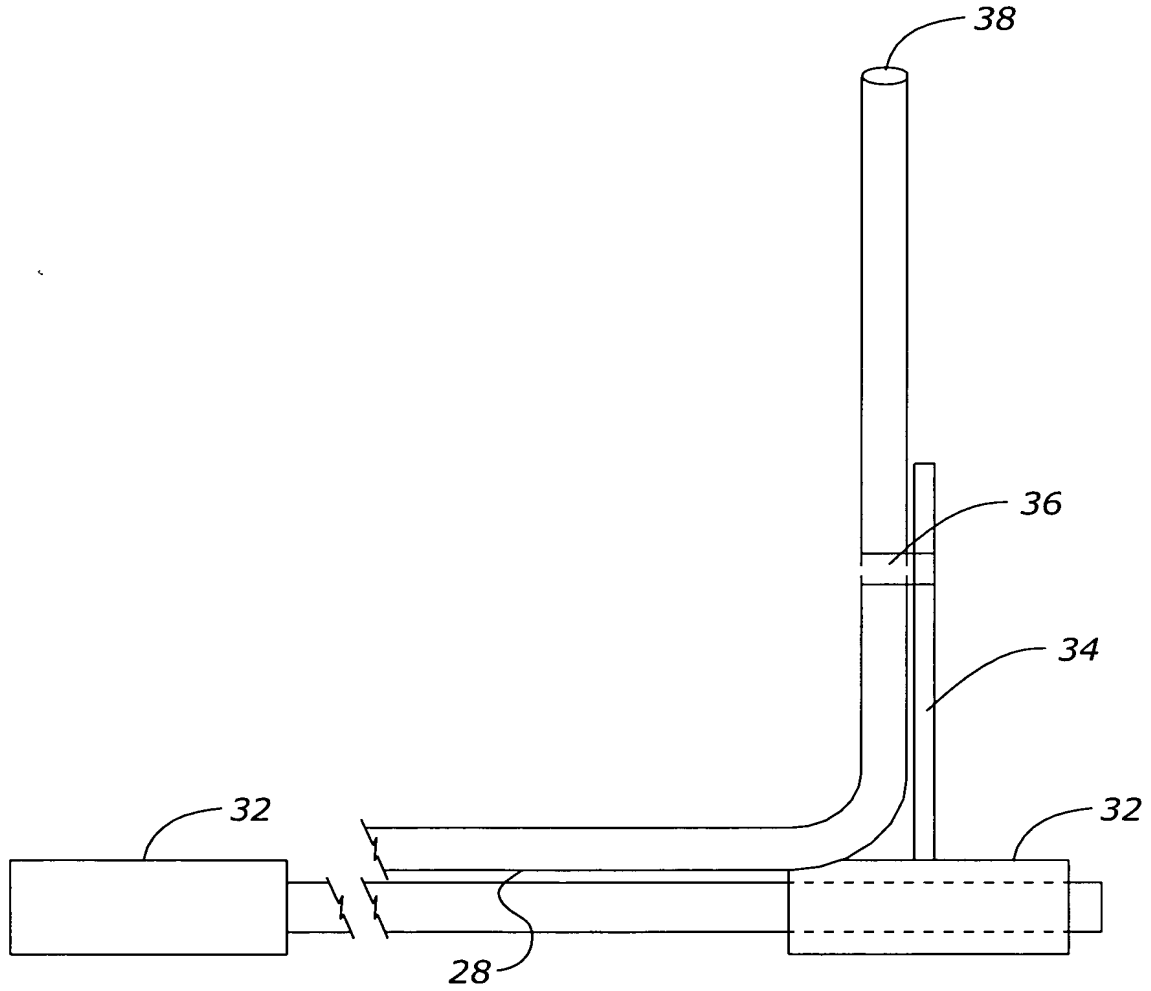


Fig. 6

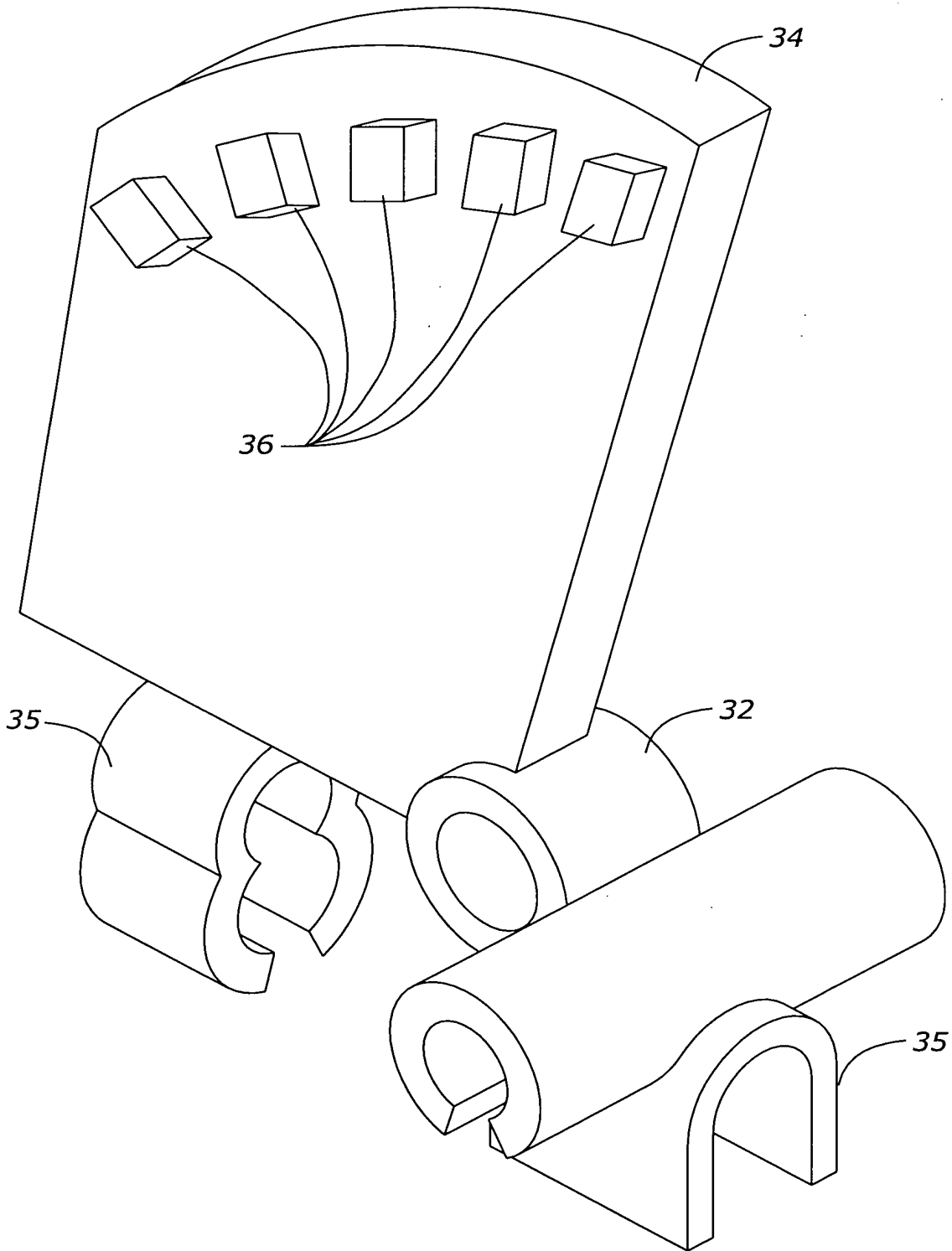


Fig. 7



Applicant: VANLANDINGHAM, Wayne M.
Attorney Docket No. P04853US00
U.S. Serial No. 10/036,571
Title: RACK FOR REDUCED HEIGHT
WASHING COMPARTMENT
REPLACEMENT SHEETS - Sheet 8 of 9

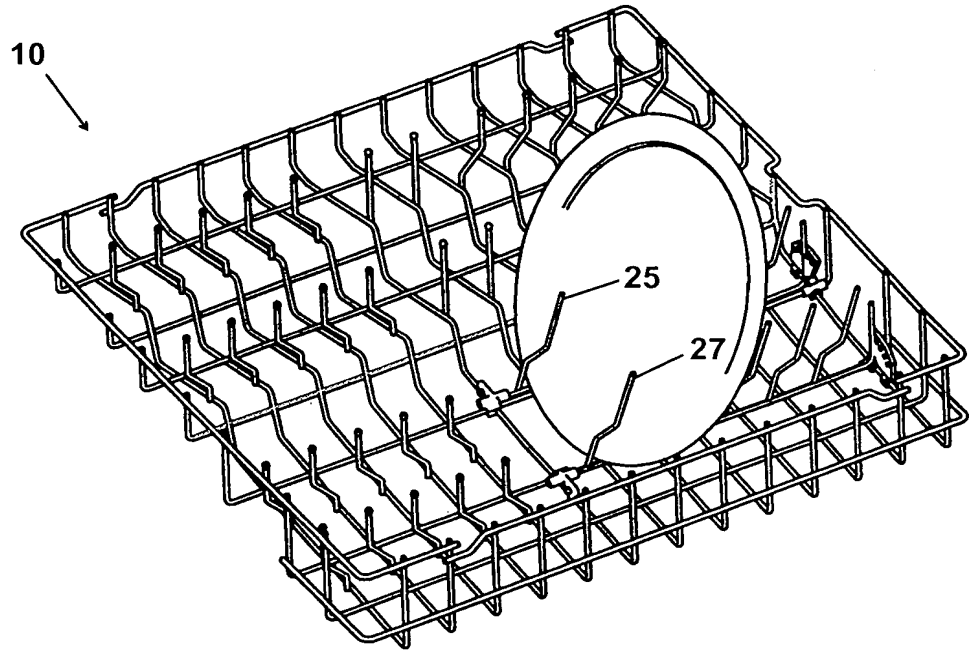


Fig. 8

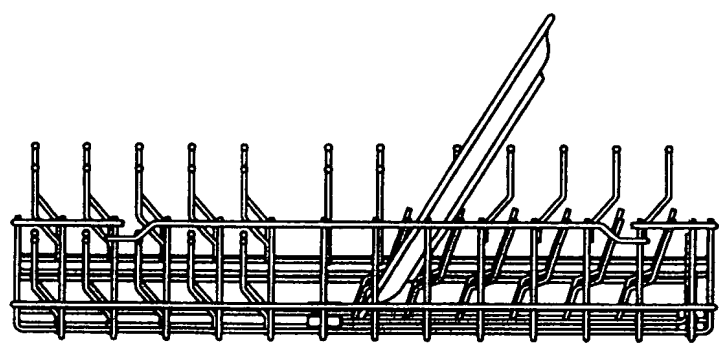
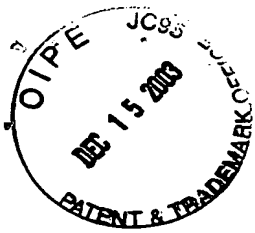


Fig. 9



Applicant: VANLANDINGHAM, Wayn M.
Attorney Docket No. P04853US00
U.S. Serial No. 10/036,571
Title: RACK FOR REDUCED HEIGHT
WASHING COMPARTMENT
REPLACEMENT SHEETS - Sheet 9 of 9

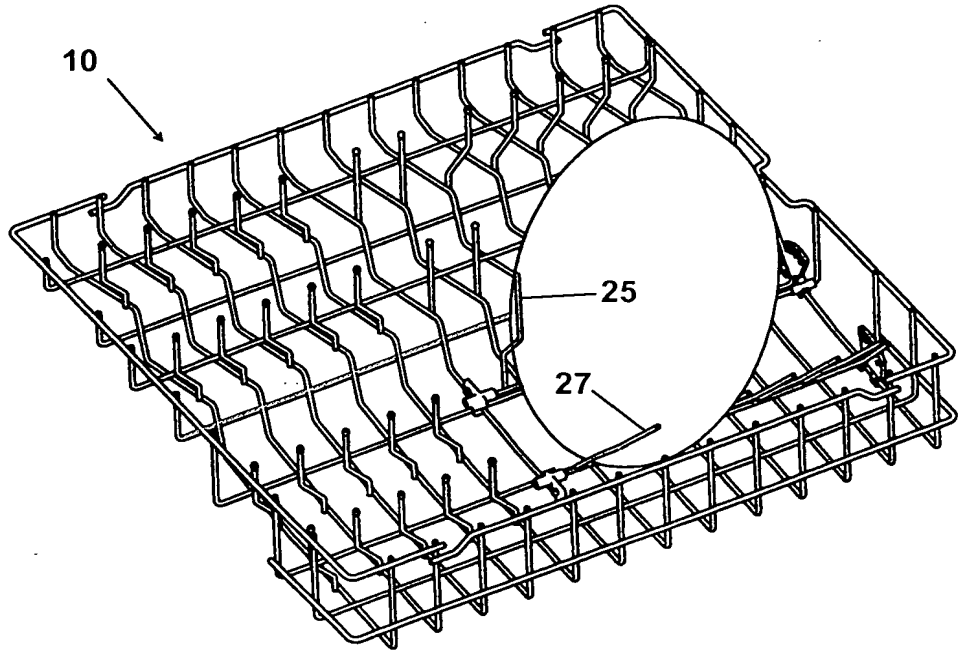


Fig. 10

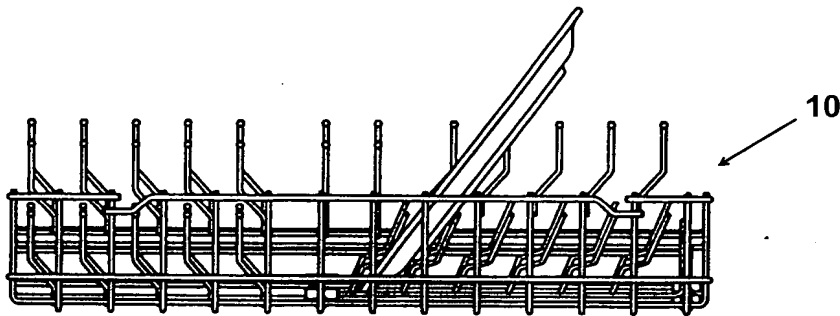


Fig. 11